



BARLO SPC®

Product Information





# BARLO SPC ...



BARLO SPC is a range of extruded twin and triple-wall polycarbonate sheets produced by Quinn Plastics. BARLO SPC offers the clarity of glass but is stronger and more resistant to impact.

BARLO SPC is a light, strong, insulating and attractive sheet for use as roofing, cladding, glazing and other applications in construction, advertising, agriculture, industry and DIY.

The sheets are easy to handle and install, virtually unbreakable and can resist extreme weather conditions.

Insulation against heat and cold are one of the most important properties.

BARLO SPC diamond sheets can reduce heat build up by as much as 17° degrees. The special diamond structure gives greater strength and superior heat retention due to the insulating air space built into the product.

BARLO SPC has a long working life and carries a 10 year warranty against yellowing

---

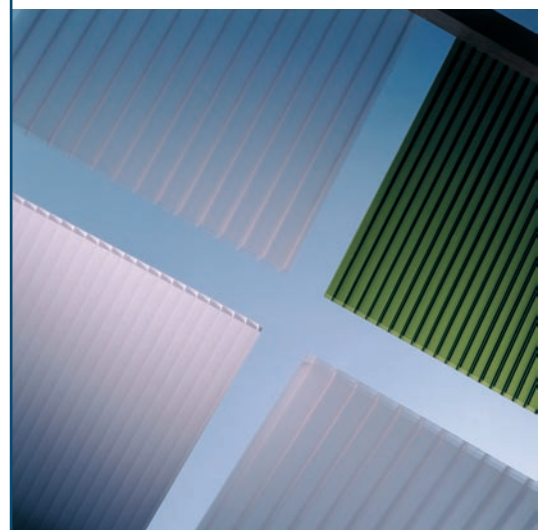
## PRODUCT CHARACTERISTICS AND BENEFITS

- High impact resistance
- Weather resistant
- High heat and sound insulation
- Long life span
- High light transmission
- Large dimensions
- Excellent resistance to chemicals
- Transparent
- UV protected
- Excellent fire safety
- Temperature resistant: between -40°C and +130°C
- Resistant to hailstorms
- High resistance to mechanical loading
- Light-weight
- Easy to install using ordinary tools
- Superb thermal insulation - saves energy

# an alternative for glass in roofing applications

## APPLICATIONS

- Roofing and glazing
- Cladding
- Skylights
- Shelters
- Vaults
- Suspended ceilings
- Partitions
- Swimming pool enclosures
- Conservatories
- Boxes
- Protective covers for fragile items
- Advertising panels



## PRODUCT RANGE

SPC 4	SPC 6	SPC 8	SPC 10	SPC 16	SPC 20	SPC 25	SPC 25	SPC 32	SPC 35

- Standard colours: Clear, Opal 3B, Opal 6B, Bronze, Blue sapphire, special colours upon request
- Specialty products:
  - Cool white and super cool white – heat control
  - Double-sided UV-protected BARLO SPC sheets
- Standard widths: 980 – 1050 - 1200 - 2100 mm
- Standard lengths: 6000 and 7000 mm or supplied according to customer order, up to a maximum 12000 mm
- Available thicknesses: 4-6-8-10-16-16D-20-25-25D-32-32D-35-35D mm

Ask for our product range overview for more detailed information or the newest products.

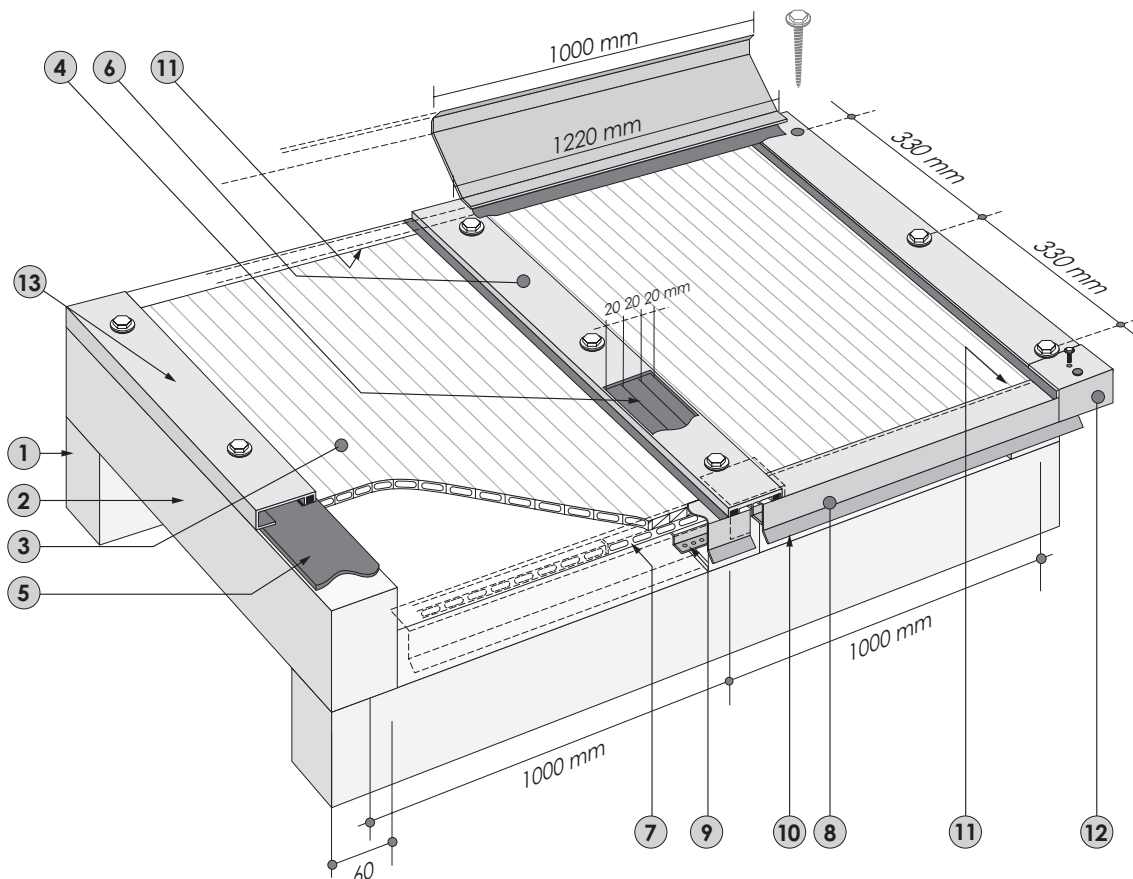
## INSTALLATION

BARLO SPC sheets should be stored or covered under a sheet or indoors, placed on a pallet. Do not store sheets without sealing the open ends to prevent dust and moisture from entering. The roof supporting structure (1) or frame can be made from wood, aluminium or steel. Sheets should be installed in the direction of the slope, to reduce the accumulation of dirt inside the sheet and ease gravity drainage of condensation moisture. The rafters (2) should be placed with a distance of max. 1000 mm apart in the direction of the slope. Sheets should be installed with the adjoining edges connected by a glazing profile suited to the glazing system. As BARLO SPC sheets (3) are 980 mm wide, a 20 mm joint gap (4) will allow the dimensional expansion of the sheets that may arise after changes in temperature. Cut BARLO SPC with a jigsaw or a cutting knife. Remove the polyethylene protective film immediately after installation to avoid irreversible damage.

Prior to placing the sheets on the supporting rafters a rubber or protective gasket (5) should be fitted to avoid damage of the sheet surface. The sheets will be mounted by a connecting profile (6) with two seals. Seal the open ends before installation with compatible impermeable anti-dust and anti-dust venting tapes. (7) The upper front edge should be sealed with a solid tape and the lower front edge with a perforated tape. This is to prevent infiltration of dirt and bugs and to allow condensation drainage.





Place an aluminum profile (8) with water anti-drop side (9) on the front side of the sheet.

Seal this profile with silicone sealant (10). Use only compatible silicones and gaskets. Place an end cap (11) on the corners of profiles; this prevents the sheet from gliding.



## ACCESSORIES

Quinn Plastics also offers accessories (profiles, screws, etc.) for correct handling of BARLO SPC sheets. It is obvious that the same installation guidelines as described above, are applicable when other accessories are used.

PROFILES	DESCRIPTION	DIMENSIONS
<b>Polycarbonate profiles</b>		
	H-jointing profile for 6 mm CA008	6 m
	H-jointing profile for 10 mm CA009	6 m
	H-jointing profile for 16 mm CA010	6 m
	U-closing profile for 6 mm CA017	6 m
	U-closing profile for 16 mm CA018	6 m
	U-closing profile for 10 mm CA019	6 m
<b>Tape</b>		
	Micro-perforated anti-dust CA020	33 m x 38 mm
	Micro-perforated anti-dust CA023	33 m x 25 mm
	Plain anti-dust CA024	50 m x 38 mm
	Plain anti-dust CA025	50 m x 30 mm



## YOUR POINT OF CONTACT:

Quinn Plastics is the producer of a range of thermoplastic sheets, marketed under the BARLO product name.

Quinn Plastics offers a wide range of plastic sheets which give the widest choice to the industry as far as gauge, size, pattern, colour, coating and opacity are concerned.

### FOR MORE INFORMATION:

QUINN PLASTICS NV  
Leukaard 1 - 2440 Geel  
BELGIUM  
T +32 (0) 14 - 57 67 11  
F +32 (0) 14 - 58 85 97

### YOUR CUSTOMER SERVICE CENTRE

Benelux, Italy, all other countries  
T +32 (0) 14 - 57 67 11  
F +32 (0) 14 - 58 11 27

Eastern Europe  
T +421 (0) 41 - 707 14 20  
F +421 (0) 41 - 764 68 79

France  
T +33 (0) 385 - 73 68 00  
F +33 (0) 385 - 73 68 22

Germany, Switzerland, Austria  
T +49 (0) 6131 - 63 11 82  
F +49 (0) 6131 - 63 11 03

Spain, Portugal  
T +34 (0) 93 - 575 19 90  
F +34 (0) 93 - 564 87 00

UK, Ireland  
T UK: 0800 - 169 00 73  
T Ireland: 1800 - 55 32 64  
F +32 (0) 14 - 58 11 27

[www.quinn-plastics.com](http://www.quinn-plastics.com)



QUINN PLASTICS IS PART OF THE QUINN GROUP

Quinn Plastics N.V. and its marketing subsidiaries disclaim responsibility for results of use of this information, which is furnished without charge, or any product, method or apparatus mentioned herein. It is the user's responsibility to make and to be guided by his own test in determining suitability of any product, method or apparatus for this purpose. No statement or suggestion herein is to be considered a recommendation or inducement of any use, manufacture or sale that may infringe any patents now or hereafter in existence.

Specification: Quinn Plastics - BARLO SPC installation guide - English version - Vol. 1-1 - (Copyright 2005, Quinn Plastics N.V., All rights reserved - Printed in Belgium. BM 05/2005)